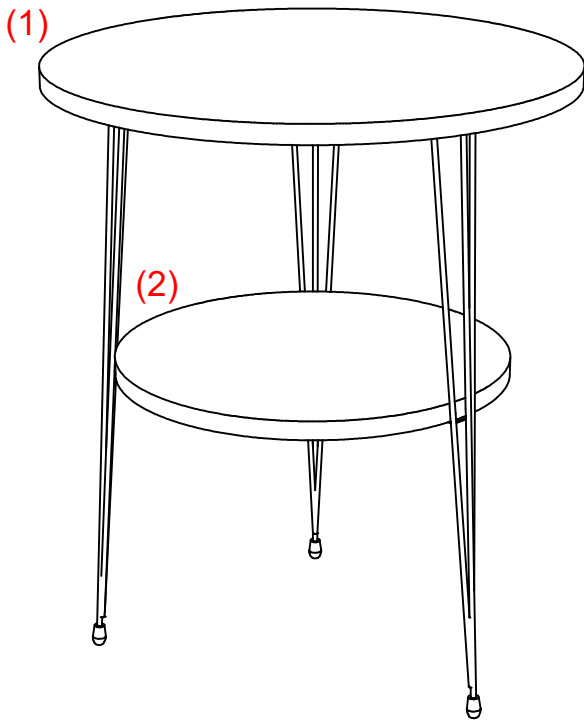
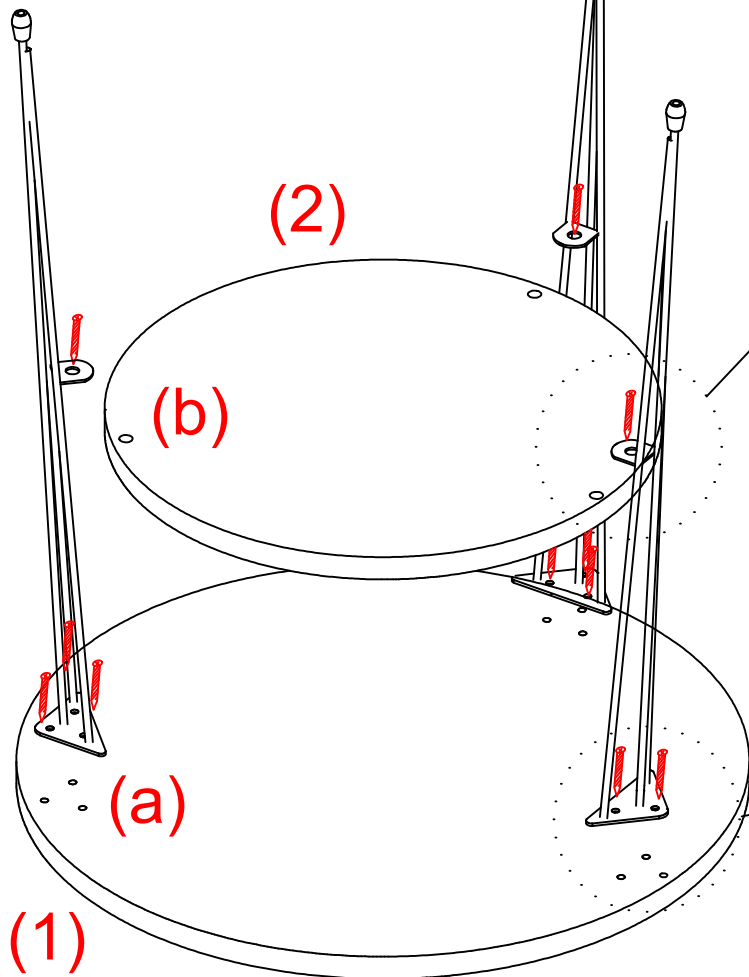


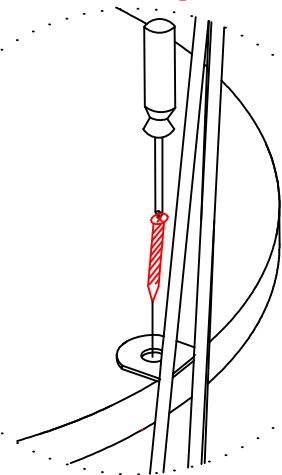
# Side table - Assembly Instructions



- Position the Table on flat surface.
- Attach the legs to the big tray (1) with the mounting screws to the pre-drill holes (a) marked on the tray.
- Repeat the previous steps with the small table tray(2).



Step2



Step1

